



# FilterFab

## MODEL MFU-1105P PORTABLE FILTRATION SYSTEM

### High Performance Filtration for Today's Industry

180 GPH

Contact us today for pricing  
931.526.3146  
Filters@Filter-Fab.com



### APPLICATIONS

Hydraulic Oil • Compressor Oil • Quench Oil  
EDM Oil • Lubricating Oil • Insulating Oil  
Turbine Oil • Gear Oil • Water Glycol Fluids  
Water Based Coolants

### SPECIFICATIONS

- 1/2 HP TEFC heavy duty motor with thermal overload protection.
- 5 GPM positive displacement gear pump with internal relief valve.
- One (1) polyurethane powder baked MFU-1000F element housing.
- Wired 110 Volt, 1 phase with all electrical components mounted in a NEMA 4 enclosure.
- **Motorstarter switch with automatic/manual override circuit.**
- Automatic high/low pressure shutdown system for unattended operation.
- 0-100 PSI glycerin filled gauge for monitoring system pressure.
- Plumbed with all brass fittings and 1/2" industrial hydraulic hose.
- 1/2" Inlet and outlet ball valves provided to isolate unit for element change.
- Two (2) 15 ft. 1/2" inlet and outlet hydraulic hoses with hose ends.
- Fifteen (15) feet of heavy duty 14/3 power cable.
  
- Suction-Wye strainer to protect pump from large debris.
- Heavy duty 10" pneumatic tires.
- Filtration capacity of 3 GPM and fluid transfer capacity of 5 GPM.



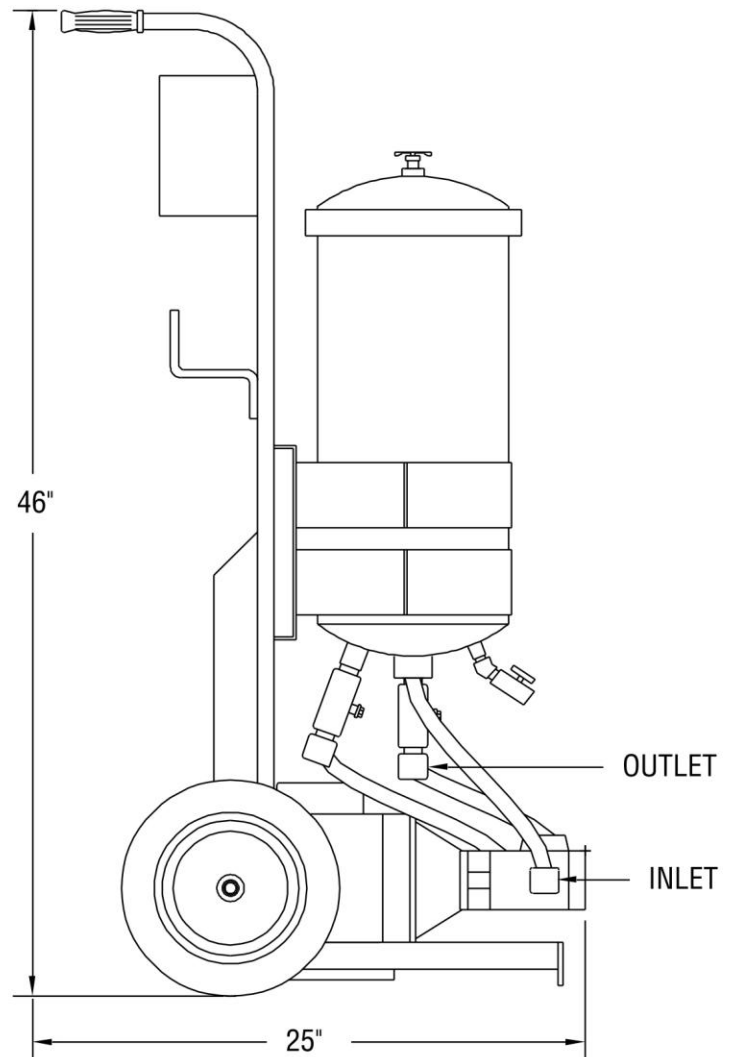
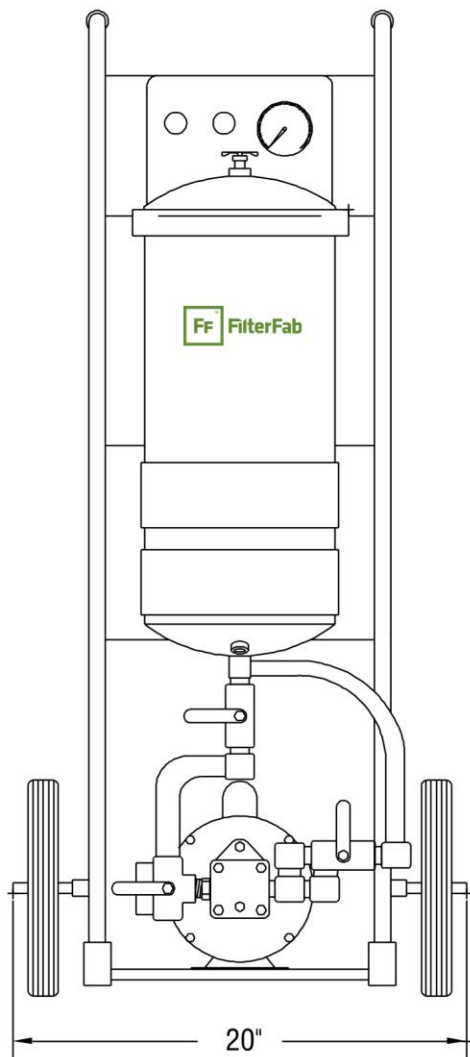
**REDUCE MAINTENANCE, EXTEND OIL AND EQUIPMENT LIFE**

**REDUCING YOUR COSTS TODAY TO INCREASE YOUR PROFITS TOMORROW**

# MODEL MFU-1105P

## Portable Oil Filtration System for Lubricating Oils and Fluid Power Systems

180 GPH



Unit Weight: 180 lbs. Shipping Weight: 250 lbs.

(weights are approximate)

Filter-Fab • 2188 Fisk Road • Cookeville, TN 38506 • 931.526.3146 • [www.filter-fab.com](http://www.filter-fab.com)

Product status and specifications are subject to change.

DISCLAIMER: Filter-Fab reserves the right to the product(s) and or information contained herein without notice. No liability is assumed as a result of their use or application. No rights under a patent accompany the sale of any such product(s) or information.